

EASYCHLORGEN

Safe, reliable & efficient on-site generation of sodium hypochlorite



Safe Preparation of Sodium Hypochlorite

EASYCHLORGEN electrochlorination systems provide an on-demand supply of <1.0% sodium hypochlorite solution, generated through the electrolysis of diluted brine solution.

Due to the low caustic and mineral content of the generated solution, injection point cleaning and descaling tasks are completely eliminated.

Commercial strength sodium hypochlorite can degrade quickly in storage, often losing up to 20% of its chlorine content. The <1.0% sodium hypochlorite solution produced by the EASYCHLORGEN system does not require caustic buffer chemicals or additives to retain its chlorine content. It can remain at its original chlorine concentration for months.

The combination of storing low strength solution, the avoidance of chemical deliveries, handling and operator involvement significantly reduce the likelihood of any accidental spillage.

Easy to operate

The operator is required to fill the salt saturator tank with salt. From this, the EASYCHLORGEN system produces a concentrated brine solution which is then diluted to the correct strength for efficient electrolysis. The diluted brine is then delivered to the electrolytic cell where electric current is passed through the solution, producing sodium hypochlorite. The process is continued automatically until the product storage tank is filled.

A range of metering and transfer pump options are available to convey the hypochlorite safely to the disinfection/treatment process.

Functions

- On site electrolysis of brine for safe generation and preparation of <1% sodium hypochlorite solution
- Safe and fully sealed electrolytic process
- Easy to operate
- Integrated control panel & OLED screen
- Manual and automatic operation
- Multilingual operating display option
- Telemetry alarm event & data logging option
- Chlorine production from 25 g/h to 8.5 kg/h

Benefits

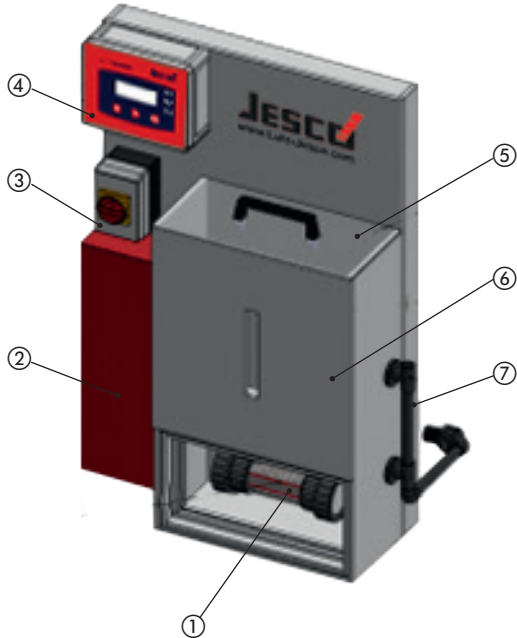
- Eliminate delivery & handling of hazardous chemicals
- Handle only salt
- Generate on site for on-demand or residual storage
- Eliminate dosing pump air-locking associated with commercial hypochlorites
- Eliminate injection point scaling associated with commercial sodium and calcium hypochlorites
- Considerable Health & Safety benefit to operators

Areas of Application

- Chlorination of potable water supplies
- Food washing / processing treatment
- Dairies / Breweries cleaning in place (CIP)
- Cooling tower biocide treatment
- Secondary disinfection
- Industrial chlorination treatments
- Swimming & Spa pool disinfection

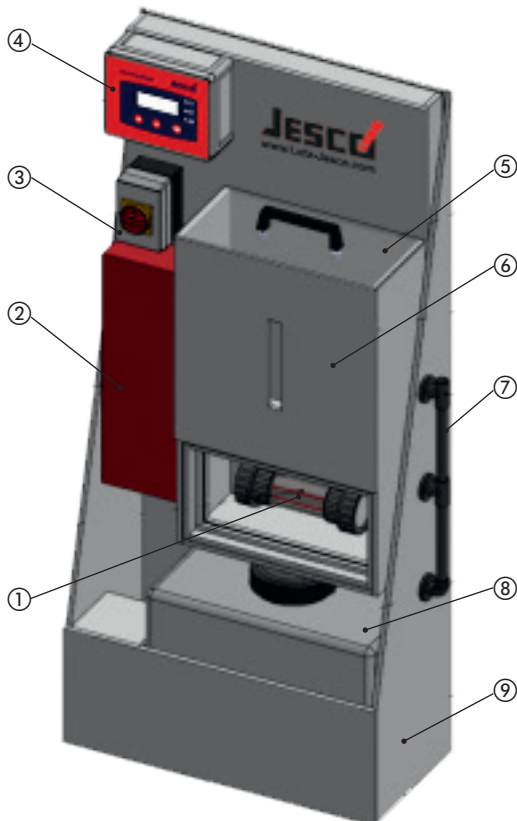
Product Description EASYCHLORGEN Compact 25, 50, 100 g/h chlorine production

EASYCHLORGEN Compact Modular (Wall mounted)

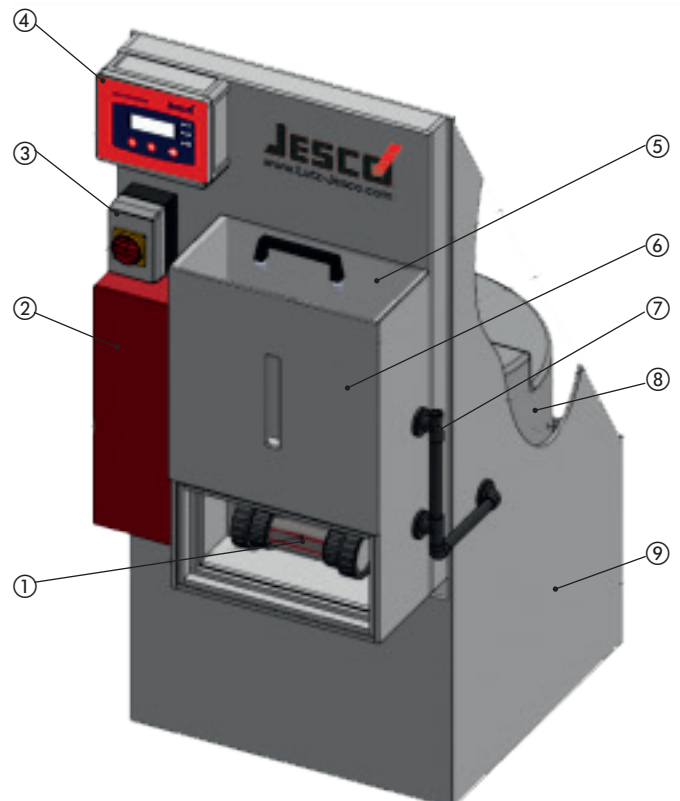


Item	Description
①	Electrolyser
②	Water flow management control module
③	Electric supply isolator
④	Control panel
⑤	Salt saturator / hopper
⑥	Visual salt level indicator and brine saturation chamber
⑦	Ventilation exhaust
⑧	Product storage tank
⑨	Floor standing skid and integrated spill containment

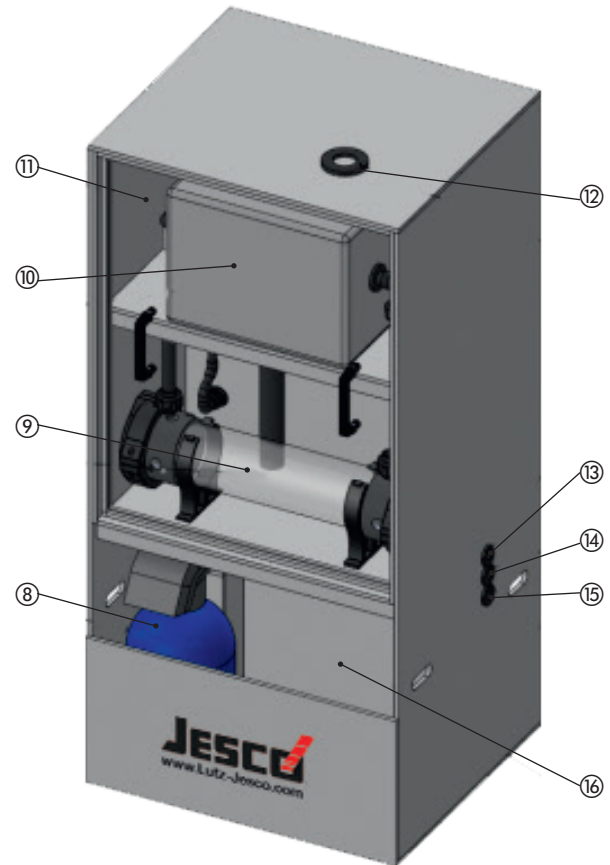
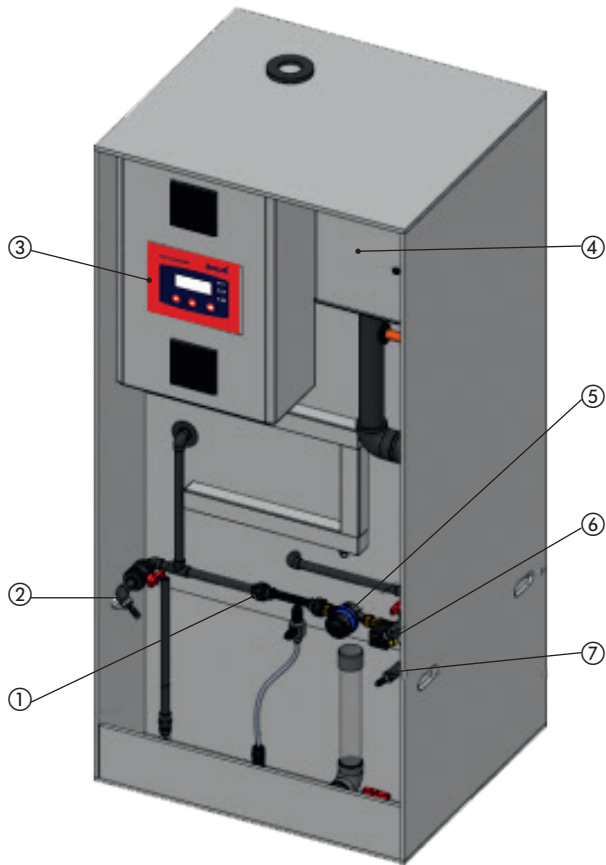
EASYCHLORGEN Compact Skid-1



EASYCHLORGEN Compact Skid-2

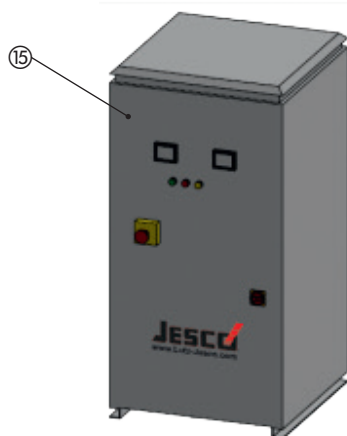
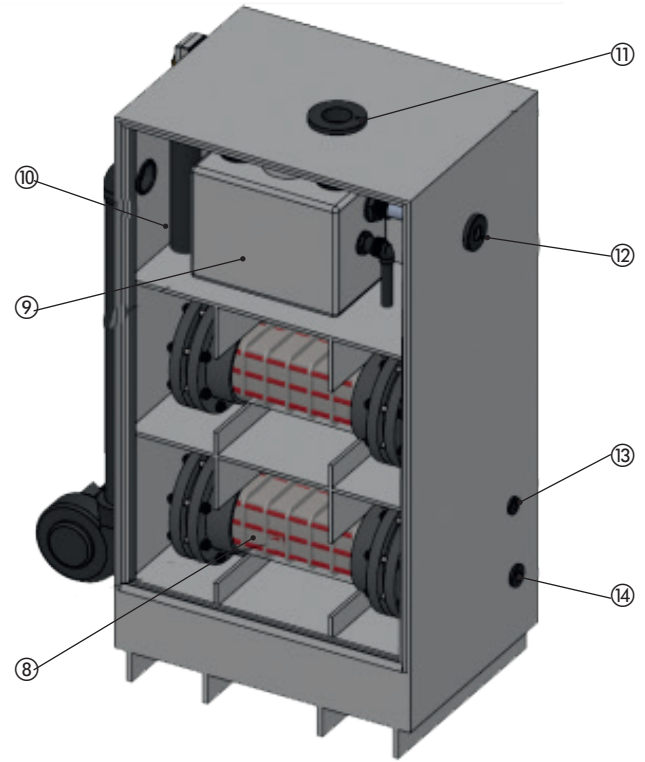
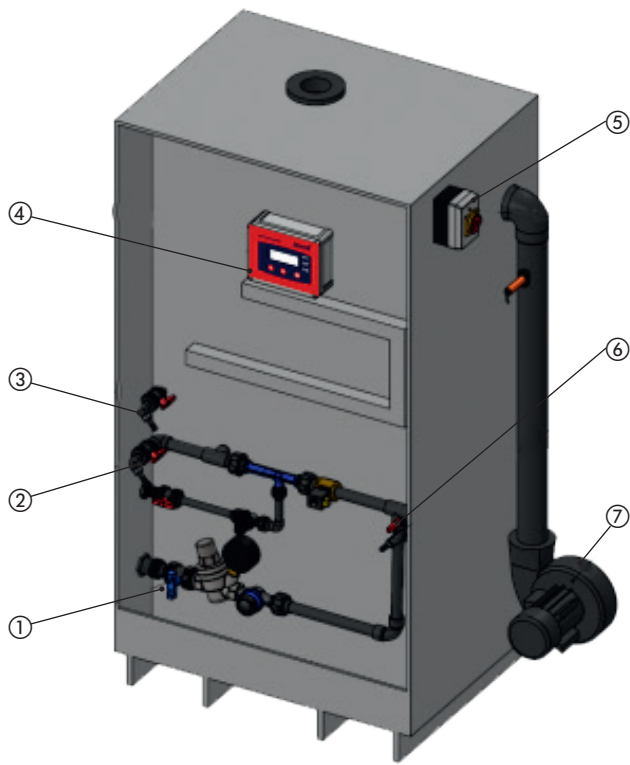


Product Description EASYCHLORGEN Standard 180, 280, 560, 1100, 2200 g/h chlorine production



Item	Description
①	Brine control
②	Diluted brine / salinity S.G. sample point
③	Control panel
④	Centrifugal ventilation fan
⑤	Feed water flow management
⑥	Product strength sample point
⑦	Softened feed water sample point
⑧	Softener system
⑨	Electrolyser
⑩	Integral product storage & degassing tank
⑪	Sealed electrolyser compartment
⑫	Ventilation exhaust connection
⑬	Product outlet connection
⑭	Softened water outlet connection
⑮	Feed water supply connection
⑯	Integral salt saturator

Product Description EASYCHLORGEN High Capacity 4.25, 8.5 kg/h chlorine production



Item	Description
①	Feed water pressure regulator & water management assembly
②	Diluted brine / Salinity S.G. sample point
③	Product strength sample point
④	Control panel
⑤	Electric supply isolator
⑥	Softened feed water sample point
⑦	Centrifugal ventilation fan
⑧	Electrolyser
⑨	Product degassing tank
⑩	Sealed electrolyser compartment
⑪	Ventilation exhaust connection
⑫	Product outlet connection
⑬	Saturated brine feed connection
⑭	Feed water supply connection
⑮	Transformer/Rectifier panel

Technical specifications

Description		On site electrolytic chlorination EASYCHLORGEN system										
		25	50	100	180	280	560	1100	2200	4250	8500	
Chlorine capacity	g/h	25	50	100	180	280	560	1100	2200	4250	8500	
Chlorine concentration	g/l	5 – 8										
Power consumption	kWh	0.25	0.50	0.75	0.90	1.4	2.8	5.6	11	21.25	42.5	
Power supply	∅	1						1	3	3		
Operating pressure	Bar	1.5 - 10										
Nominal water consumption	l/h	5	10	20	26	40	80	157	314	607	1214	
Nominal salt consumption	kg/h	0.082	0.164	0.334	0.60	0.93	1.85	3.63	7.26	14.02	28.04	
Protection class	IP	54					44					
Permissible ambient temperature	°C	+5 to +40 (+45)*										
Permissible feed water temperature	°C	+8 to +20 (+30)**										

* in this case increased ventilation required.

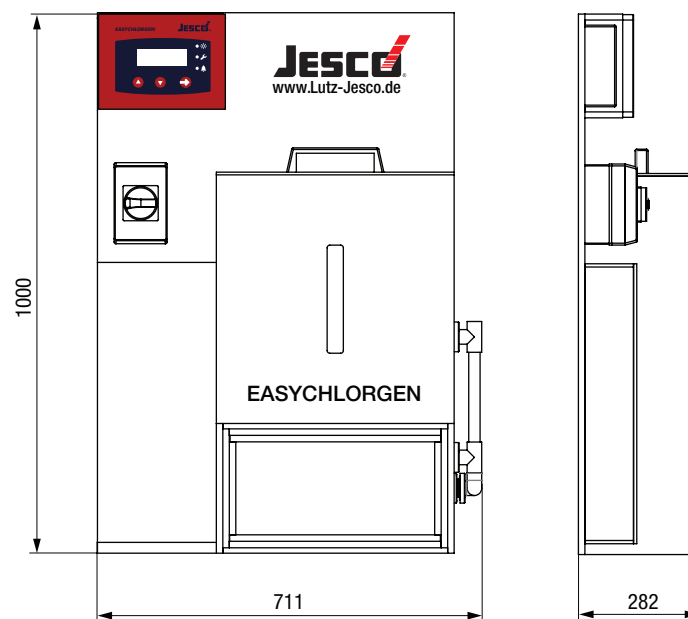
** in this case water chiller required.

Other specification available upon request.

Dimensions

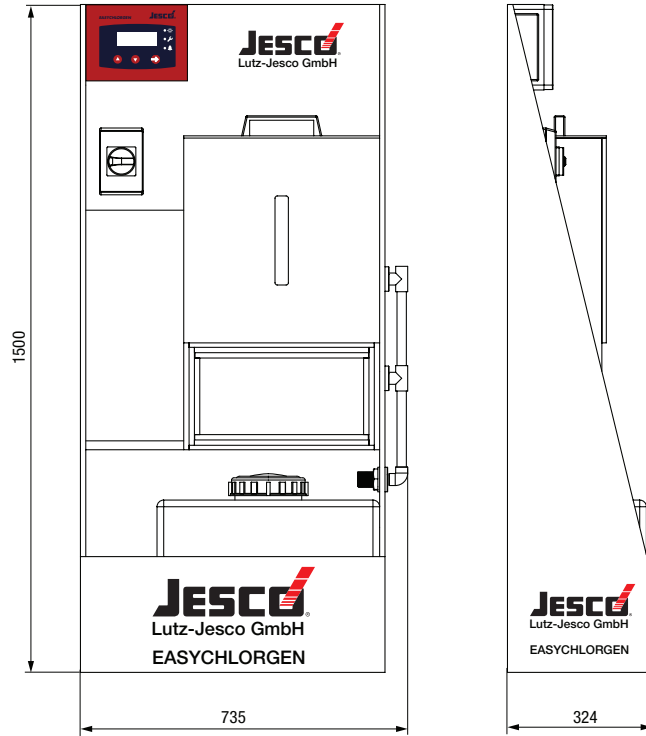
EASYCHLORGEN Compact Modular (Wall mounted)

All dimensions in mm

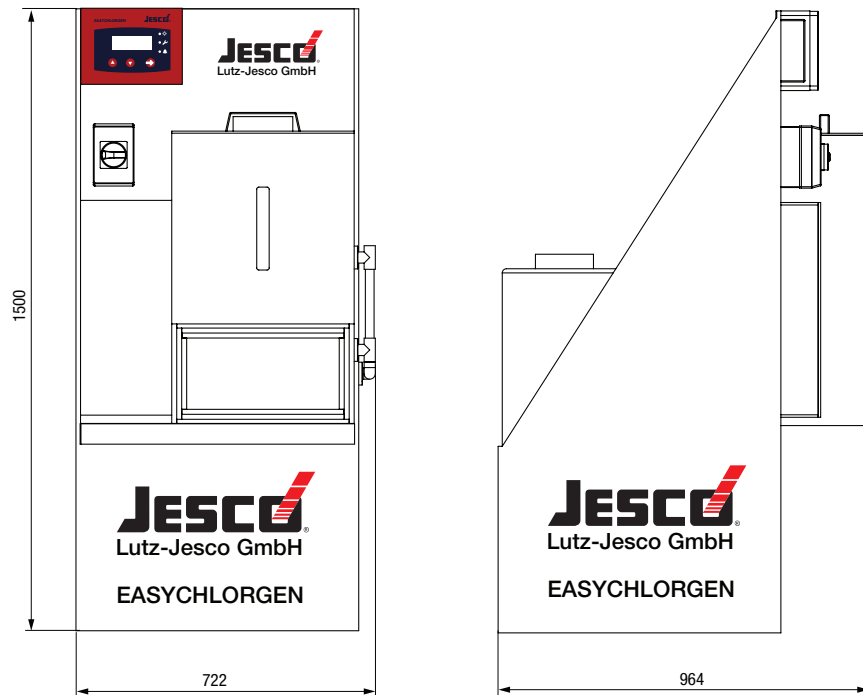


Dimensions

EASYCHLORGEN Compact-Skid-1
All dimensions in mm



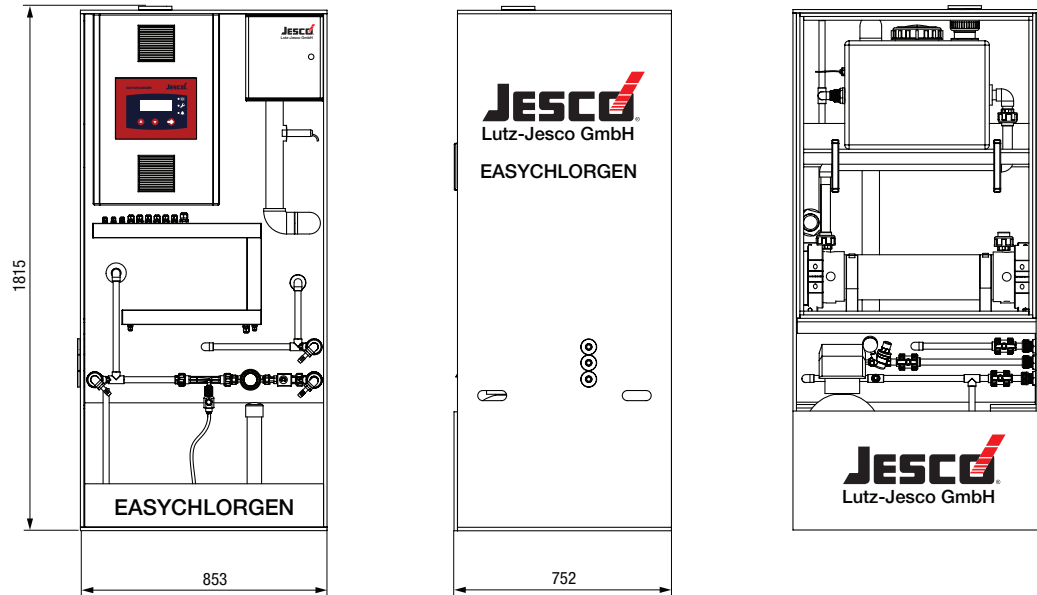
EASYCHLORGEN Compact-Skid-2
All dimensions in mm



Dimensions

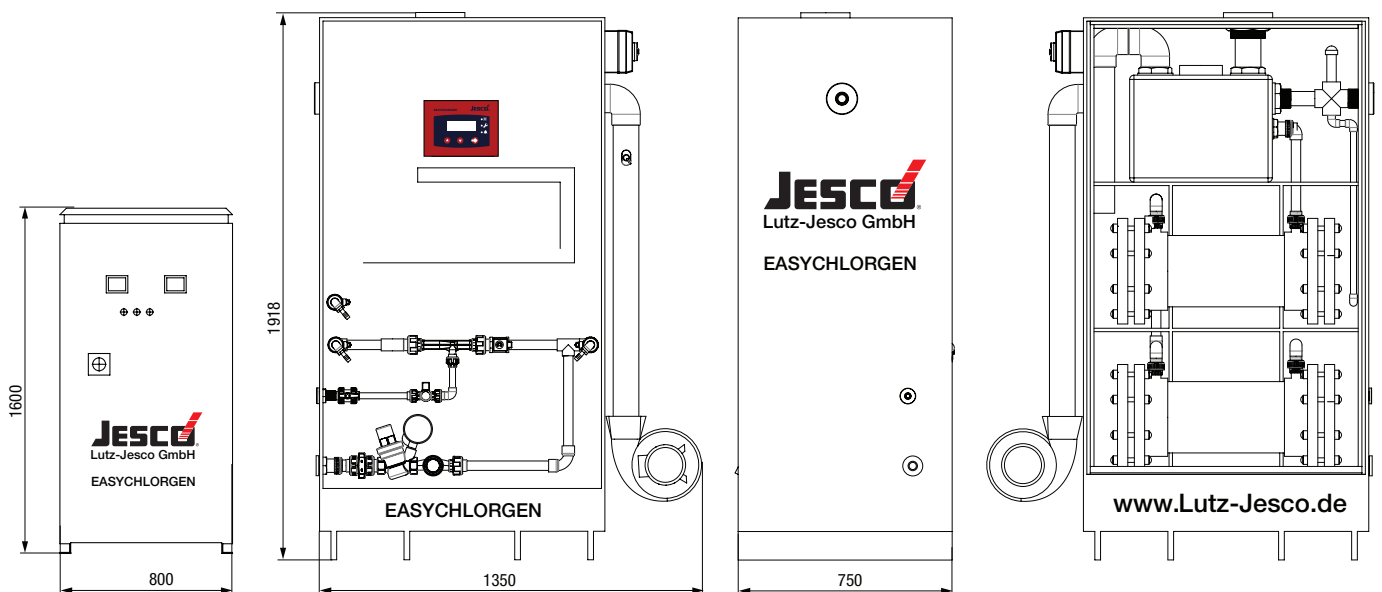
EASYCHLORGEN Standard

All dimensions in mm



EASYCHLORGEN High Capacity

All dimensions in mm



EASYCHLORGEN - Standard version



Compact-Modular comprising:

- Electrolytic chlorine generation unit
- Automatic ion-exchange softener kit
- 50 litre product storage tank & level control assembly kit
- Power supply 240 V ac 50 Hz Ø1

EASYCHLORGEN Compact-Modular (Wall mounted)	Type	Generator capacity	Part No.
C1-M-F1-0-T1-V2	Compact-Modular 25	25 g/h	65000000
C2-M-F1-0-T1-V2	Compact-Modular 50	50 g/h	65000001
C3-M-F1-0-T1-V2	Compact-Modular 100	100 g/h	65000002



EASYCHLORGEN

Compact-Skid comprising:

- Electrolytic chlorine generation unit
- Automatic ion-exchange softener kit
- 50 litre product storage tank & level control assembly kit
- Power supply 240 V ac 50 Hz Ø1

EASYCHLORGEN Compact-Skid	Type	Generator capacity	Part No.
C1-S-F1-0-T1-V2	Compact-Skid 25	25 g/h	65000003
C2-S-F1-0-T1-V2	Compact-Skid 50	50 g/h	65000004
C3-S-F1-0-T1-V2	Compact-Skid 100	100 g/h	65000005



EASYCHLORGEN

Standard and High Capacity comprising:

- Electrolytic chlorine generation unit
- Automatic ion-exchange softener kit
- Power supply for capacity 180 - 560 g/h, 240 V ac 50 Hz Ø1
- Power supply for capacity 1100 - 8500 g/h, 380-440 V ac 50 Hz Ø3

EASYCHLORGEN Standard and High Capacity	Type	Generator capacity	Part No.
H1-S0-T0-1	Standard 180	180 g/h	65000006
H2-S0-T0-1	Standard 280	280 g/h	65000007
H3-S0-T0-1	Standard 560	560 g/h	65000008
H4-S0-T0-2	Standard 1100	1100 g/h	65000009
H5-S0-T0-2	Standard 2200	2200 g/h	65000010
H6-S0-T0-2	High Capacity 4250	4250 g/h	65000011
H7-S0-T0-2	High Capacity 8500	8500 g/h	65000012

**Hydrogen gas detector**

Hydrogen gas detector for positioning in chlorine plant room adjacent to the EASYCHLORGEN for fail safe detection and shutdown.

Supplied as standard with every EASYCHLORGEN unit

**Softener filter cartridge unit**

Softener filter cartridge unit option for use in conjunction with COMPACT systems.

Incorporates replacement cartridge element for easy and convenient maintenance.

Standard and high capacity softener cartridge options.

**Automatic regenerative softener unit**

Automatic regenerative softener unit option for use in conjunction with COMPACT systems.

Requires local power supply and waste drain for backwash outflow.

**Brine tank options**

External salt saturator for use in conjunction with STANDARD and HIGH CAPACITY systems.

Salt storage of 150, 300, 500, 1000 kg and special saturator designs.

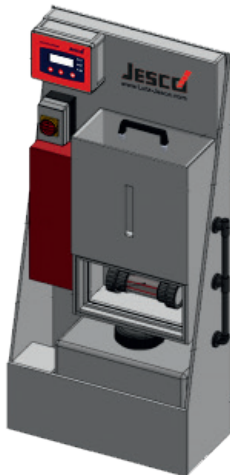
**Product tank options**

External product storage tanks for use in conjunction with STANDARD and HIGH CAPACITY systems with level control assembly kit. Product volumes 75, 300, 500, 1000, 2000 L and custom designed product Tanks.

EASYCHLORGEN - Matchcode



Matchcode order system EASYCHLORGEN Compact Modular Systems (Wall mounted)						
Generator capacity						
C1	Compact 25 - 25 g/h electrolytic chlorine generation unit					
C2	Compact 50 - 50 g/h electrolytic chlorine generation unit					
C3	Compact 100 - 100 g/h electrolytic chlorine generation unit					
System configuration						
M	Modular system configuration					
Softener equipment options - cold water supply						
F1	Automatic ion-exchange softener kit					
F2	Filter cartridge kit (97,000 mg TDS CaCO3 capacity)	Only available with				
F3	Filter cartridge kit (292,000 mg TDS CaCO3 capacity)	Compact 25 generator				
F4	None - softened water available on site					
Ventilation pack						
1	Air blower & ventilation kit					
0	None optional only on Compact 25 generator - site Risk Assessment required					
Product storage/capacity options						
T1	50 litre product storage tank & level control assembly kit					
T2	100 litre product storage tank & level control assembly kit					
T3	200 litre product storage tank & level control assembly kit					
T4	Special/Custom design product storage tank & level control assembly kit					
Power supply options						
V1	110 V ac 50 Hz Ø1					
V2	240 V ac 50 Hz Ø1 standard					
C1	M	F1	1	T1	V2	Order Example



Matchcode order system EASYCHLORGEN Compact Skid Systems						
Generator capacity						
C1	Compact 25 - 25 g/h electrolytic chlorine generation unit					
C2	Compact 50 - 50 g/h electrolytic chlorine generation unit					
C3	Compact 100 - 100 g/h electrolytic chlorine generation unit					
System configuration						
S	Skid system configuration					
Softener equipment options - cold water supply						
F1	Automatic ion-exchange softener kit					
F2	Filter cartridge kit (97,000 mg TDS CaCO3 capacity)	Only available with				
F3	Filter cartridge kit (292,000 mg TDS CaCO3 capacity)	Compact 25 generator				
F4	None - softened water available on site					
Ventilation pack						
0	No Air blower					
1	Air blower & ventilation kit					
Product storage/capacity options						
T1	50 litre product storage tank & level control assembly kit					
T3	200 litre product storage tank & level control assembly kit					
Power supply options						
V1	110 V ac 50 Hz Ø1					
V2	240 V ac 50 Hz Ø1 standard					
C1	S	F1	1	T3	V2	Order Example

Note:

All EASYCHLORGEN Compact systems exclude dosing pumps and accessories. These items must be size and selected for the specific application. Please contact us for further information.

EASYCHLORGEN - Matchcode



Matchcode order system EASYCHLORGEN Standard and High Capacity Systems			
Generator capacity			
H1	EASYCHLORGEN Standard 180 - 180 g/h electrolytic chlorine generator unit		
H2	EASYCHLORGEN Standard 280 - 280 g/h electrolytic chlorine generator unit		
H3	EASYCHLORGEN Standard 560 - 560 g/h electrolytic chlorine generator unit		
H4	EASYCHLORGEN Standard 1100 - 1100 g/h electrolytic chlorine generator unit		
H5	EASYCHLORGEN Standard 2200 - 2200 g/h electrolytic chlorine generator unit		
H6	EASYCHLORGEN High Capacity 4250 - 4250 g/h electrolytic chlorine generator unit		
H7	EASYCHLORGEN High Capacity 8500 - 8500 g/h electrolytic chlorine generator unit		
Salt saturator options			
S0	150 kg integral salt saturator		
S1	300 kg external salt saturator		
S2	500 kg external salt saturator		
S3	1000 kg external salt saturator		
S4	Special saturator design		
Product storage/capacity options			
T0	75 litre integral product storage tank		
T1	300 litre product storage tank & level control assembly kit		
T2	500 litre product storage tank & level control assembly kit		
T3	1000 litre product storage tank & level control assembly kit		
T4	2000 litre product storage tank & level control assembly kit		
T5	Special/Custom design product storage tank & level control assembly kit		
Power supply options			
0	95-130 V ac 50 Hz Ø1	only available up to 560 g/h unit (c.25Amp)	
1	195-265 V ac 50 Hz Ø1	available up to 1100 g/h unit	
2	380-440 V ac 50 Hz Ø3	standard on 2200 g/h units and above	
3	Special voltage request		
C1	M	F1	1
Order Example			

Product range

Lutz Pumpen GmbH
P.O. Box 1462
D-97864 Wertheim
www.lutz-pumpen.de

Product range

Lutz-Jesco GmbH
P.O. Box 100164
D-30891 Wedemark
www.lutz-jesco.com



Barrel and container pumps



Dosing pumps



Measuring and control equipment



Flow meters



Chlorinators



Disinfection



Double diaphragm pumps



Chemical centrifugal pumps



Standard plus



Centrifugal pumps



TECHNOPOL

Products for the disinfection of swimming pool water based on salt water electrolysis and domestic water technology



The Lutz-Jesco App for iPad and iPhone is available from the iTunes App Store. Further information can be found at www.lutz-jesco.com



Head Office
Lutz-Jesco GmbH
Am Bostelberge 19
30900 Wedemark
Germany

Tel.: +49 5130 5802-0
Fax: +49 5130 580268

E-mail: info@lutz-jesco.com
Website: www.lutz-jesco.de

Hungary
Lutz-Jesco Üzletég
Vasvári P. u. 9.
9024 Győr
Hungary

Tel.: +36 96 523046
Fax: +36 96 523047

E-mail: info@lutz-jesco.hu
Website: www.lutz-jesco.hu

Austria
Lutz-Jesco GmbH
Aredstraße 7/2
2544 Leobersdorf
Austria

Tel.: +43 2256 62180
Fax: +43 2256 6218062

E-mail: info@lutz-jesco.at
Website: www.lutz-jesco.at

Netherlands
Lutz-Jesco Nederland B.V.
Nijverheidstraat 14 C
2984 AH Ridderkerk
Netherlands

Tel.: +31 180 499460
Fax: +31 180 497516

E-mail: info@lutz-jesco.nl
Website: www.lutz-jesco.nl



Great Britain
Lutz-Jesco (GB) Ltd.
Gateway Estate
West Midlands Freeport
Birmingham B26 3QD
Great Britain

Tel.: +44 121 782 2662
Fax: +44 121 782 2680

E-mail: info@lutz-jesco.co.uk
Website: www.lutz-jesco.co.uk

USA
Lutz-JESCO America Corp.
55 Bermar Park
Rochester, N.Y. 14624
USA

Tel.: +1 585 426-0990
Fax: +1 585 426-4025

E-mail: mail@jescoamerica.com
Website: www.lutzjescoamerica.com

East Asia
Lutz-Jesco East Asia Sdn Bhd
6 Jalan Saudagar U1/16
Hicom Glenmarie Industrial Park
40150 Shah Alam/ Selangor
Malaysia

Tel.: +603 55692322
Fax: +603 55691322

E-mail: info@lutz-jescoasia.com
Website: www.lutz-jescoasia.com

Middle East
Lutz-Jesco Middle East FZE
P.O. Box 9614
SAIF-Free Zone Center
Sharjah
UAE

Tel.: +971 6 5572205
Fax: +971 6 5572230

E-mail: info@jescome.com
Website: www.jescome.com

