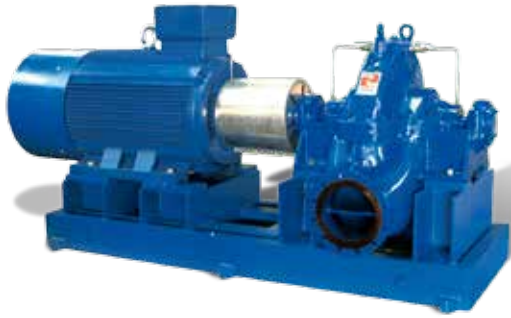


SPLIT-CASE PUMPS



— **Gruppo Aturia** —



SPLIT-CASE PUMPS PD & PDV series

PD & PDV Split-case pumps are single stage, double suction centrifugal pumps. These pumps ensure a long service life, high efficiency, low operations cost, friendly maintenance and service

CONSTRUCTION

PD & PDV pump casings, are split along the shaft axis and allow easy inspection and replacement of the rotating parts. The position of inlet and outlet nozzles (in the lower half case of PD horizontal pumps or in the rear half case of PDV vertical pumps) allows inspection and repair without removing the pump from its position.

Impeller: Closed type the double suction grants stable operation, low energy cost, low noise, minimum vibrations and long life.

Shaft: Protected by replaceable sleeves, it has no contact with the pumped fluid.

Seals: Standard pumps are supplied with gland packing, and mechanical seals are available on request.

Bearings: This range of pumps is almost free of hydraulic axial thrust; Thanks to the double suction symmetry and to the opposed impellers the bearings do not have to support axial loads. They are roller type, grease or oil lubricated. The rotating part is dynamically balanced and free of undue vibrations.

Rotation speed: Pump performances refer to rotating speeds from 1450 to 970 rpm (at 50Hz) but these pumps can also run at different frequencies (60 Hz) or suit other requirements (subject to technical analysis).

Coupling: Usually direct, with pump and motor on the same baseplate, coupled by means of a flexible joint, for horizontal assemblies; with motor stool lying on the pump in case of vertical assemblies. In the latter case the motor can also be mounted on a separate plate and coupled to the pump by means of universal joint.

Standard – Testing – Tolerances: Standard nozzles comply with ISO 1092. On request, they can be machined according to DIN – ANSI and other standards.

Tests and related tolerances as per ISO 9906 Gr.2

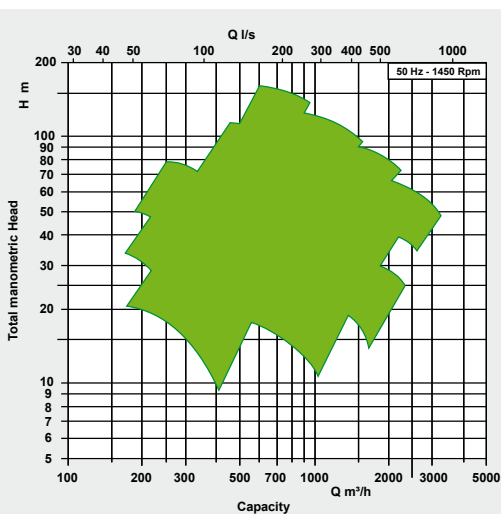
FIELD APPLICATION

PD & PDV Pumps are used in civil, industrial and farming facilities, especially for:

- Municipal water supply
- Central heating
- Power plant
- Steel works
- Drainage pump station
- Petro-chemical industry
- Air conditioning
- Water treatment
- Fire-Fighting

The range includes 27 models with delivery nozzles from 125 to 350 mm, large sizes are available on request (delivery nozzles up to 450 mm).

PERFORMANCE RANGE



CAPACITY: from 50 m³/h to 3.500 m³/h

HEAD: from 10 m to 170 m

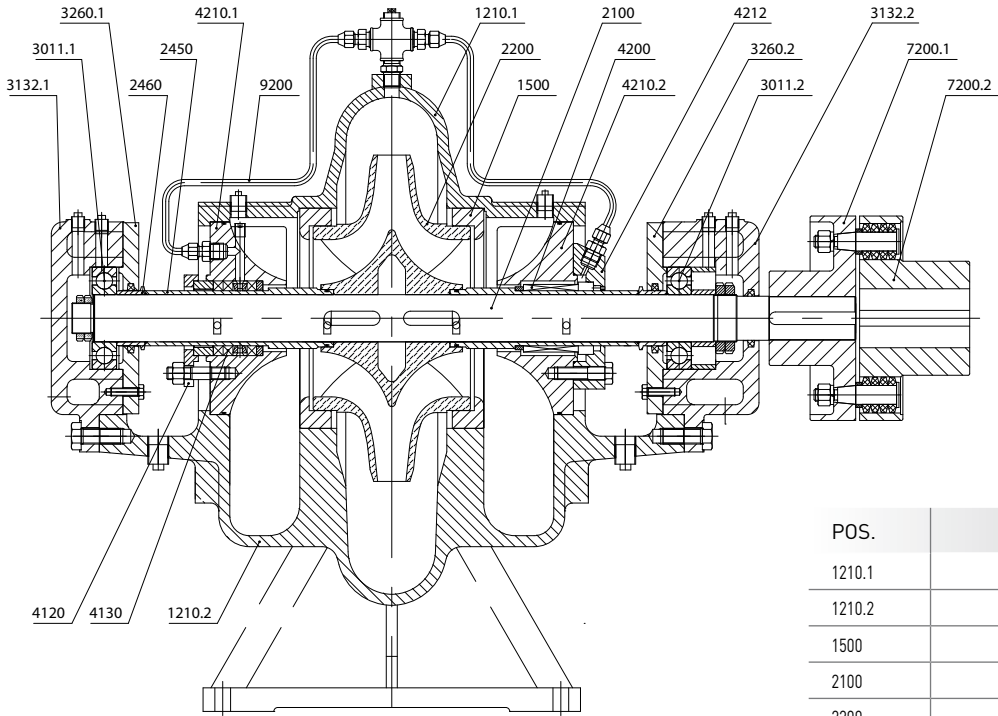
MAX. WORKING PRESSURE: 25 bar

TEMPERATURE OF PUMPING MEDIA: 130°C

DESCRIPTION	STANDARD	OPTION
Pump Casing	Cast Iron (EN-GJL-250)	<ul style="list-style-type: none"> •Ductile Cast Iron (EN-GJS-400-15) •Cast Steel (GX6CrNiMo1810)
Impeller	Cast Iron (EN-GJL-250)	<ul style="list-style-type: none"> •Bronze (G-CuSn10) •Stainless Steel (GX2CrNiMo19 11)
Shaft	Carbon Steel (C45)	<ul style="list-style-type: none"> •Stainless Steel (AISI 420)
Shaft sleeves	Carbon Steel (C45)	<ul style="list-style-type: none"> •Stainless Steel (AISI 420)
Casing wear rings	Cast Iron (EN-GJL-250)	<ul style="list-style-type: none"> •Bronze (G-CuSn10) •Stainless Steel (AISI 420)
Shaft seals	Soft Packing	<ul style="list-style-type: none"> •Mechanical Seal
Lubrication	Grease or Oil	

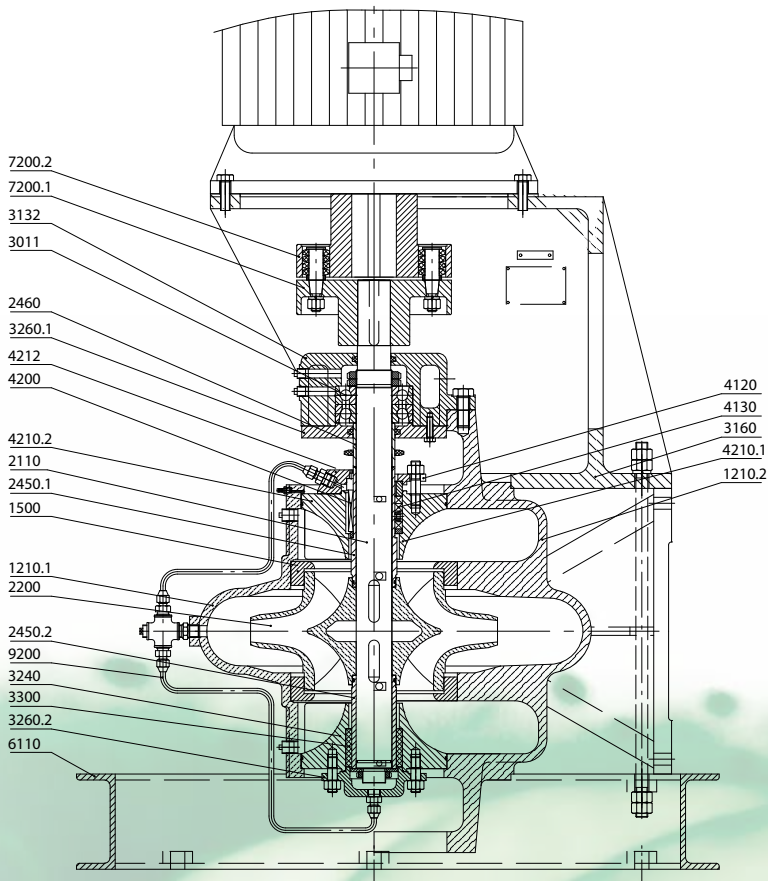
SECTIONAL DRAWINGS

SPLIT-CASE PUMP - PD -

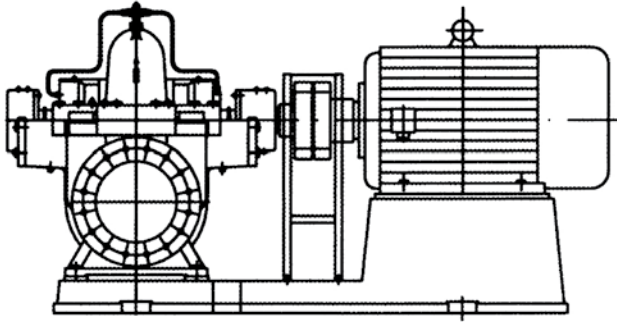


POS.	PARTS NAME
1210.1	Upper Casing
1210.2	Lower Casing
1500	Casing Wear Ring
2100	Shaft
2200	Impeller
2450.1 to .2	Shaft sealing Sleeve
2460	Bearing Spacer Sleeve
3011.1 to.2	Radial Ball Bearing
3132.1	Bearing Housing N.D.E.
3132.2	Bearing Housing D.E.
3160	Motor Bracket
3240	Bearing Housing
3260.1 to 2	Bearing Cover
3300	Bearing Bush
4120	Gland
4130	Gland Packing
4200	Mechanical Seal
4210.1	Packing Seal Housing
4210.2	Mechanical Seal Housing
4212	Mechanical Seal Cover
6110	Base Plate
7200.1	Pump Half Coupling
7200.2	Motor Half Coupling
9200	Flushing Pipe

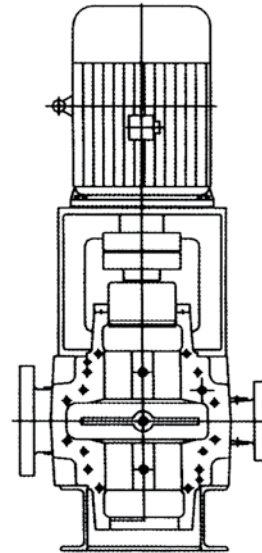
SPLIT-CASE PUMP - PDV -



INSTALLATION TYPE



Horizontal Execution



Vertical Execution

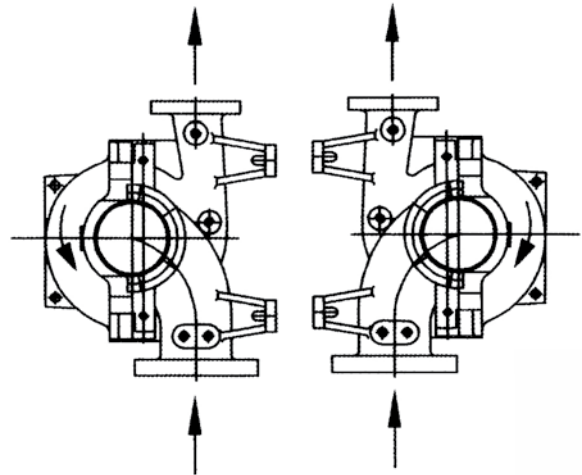
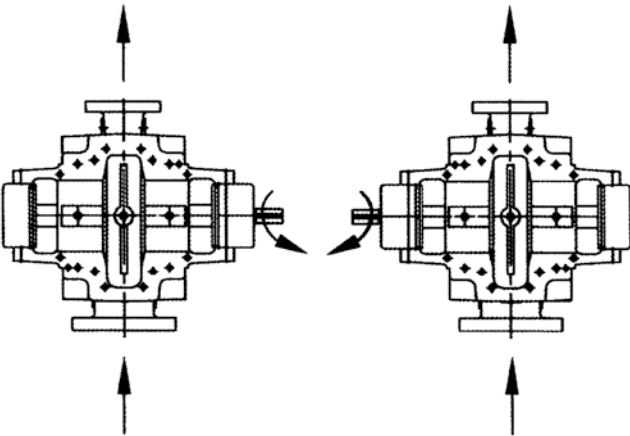
ROTATION DIRECTION / FLOW DIRECTION

Counter Clockwise
Viewed from the
Drive end

Clockwise
Viewed from the
Drive end

Counter Clockwise
Viewed from the
Drive end

Clockwise
Viewed from the
Drive end



20060 Gessate (MI) - ITALY - Piazza Aturia 9 - Tel. +39 02 95423200 - Fax +39 02 95423202
 10156 Torino - ITALY - Corso Romania 501/18
 45019 Taglio di Po (Rovigo) - ITALY - Via dell'Industria 4
www.gruppoaturia.com